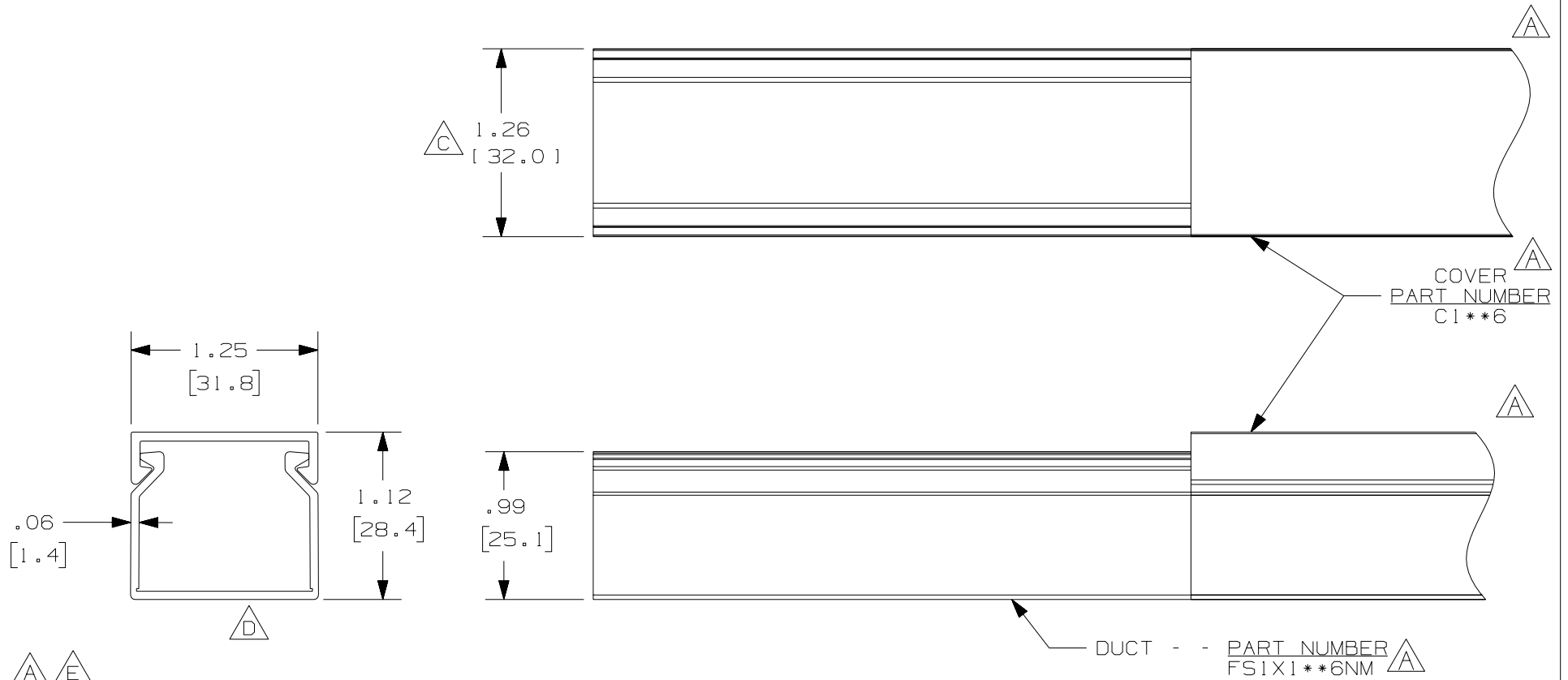


THIS COPY IS PROVIDED ON A RESTRICTED BASIS AND IS NOT TO BE USED IN ANY WAY DETRIMENTAL TO THE INTERESTS OF PANDUIT CORP.



**A** **E**

NOTE.

1. ALL DIMENSIONS ARE REFERENCE ONLY.
2. DIMENSIONS IN PARENTHESES ARE METRIC.
3. THE \*\* DENOTE COLOR.
4. DUCT AND COVER ARE AVAILABLE IN 6 FT [1828.8] LENGTHS.

**B**

CAD FILENAME/LAYERS D11000ET\_DC\_03C

**PANDUIT** CORP. TINLEY PARK, ILLINOIS

WIRING DUCT - TYPE FS DUCT WITH COVER  
1 X 1  
MARKETING DRAWING

REV	DATE	BY	CHK	DESCRIPTION
2	8-6-07	JCST	MKBE	D. DELETED DIMENSION C. ADDED DIMENSION
1	10-14-05	JCST	MKBE	B. CHANGED TITLE BLOCK A. ADDED TOP & SIDE VIEWS, LABELS, AND NOTES.
R	9-26-05	JCST	JGG	DRAWING RELEASED

DRAWN BY JCST	MAT'L; PVC	SCALE FULL
DATE 9-26-05		DRAWING NO. 36897-893
CHK'D JGG		DWG SIZE A